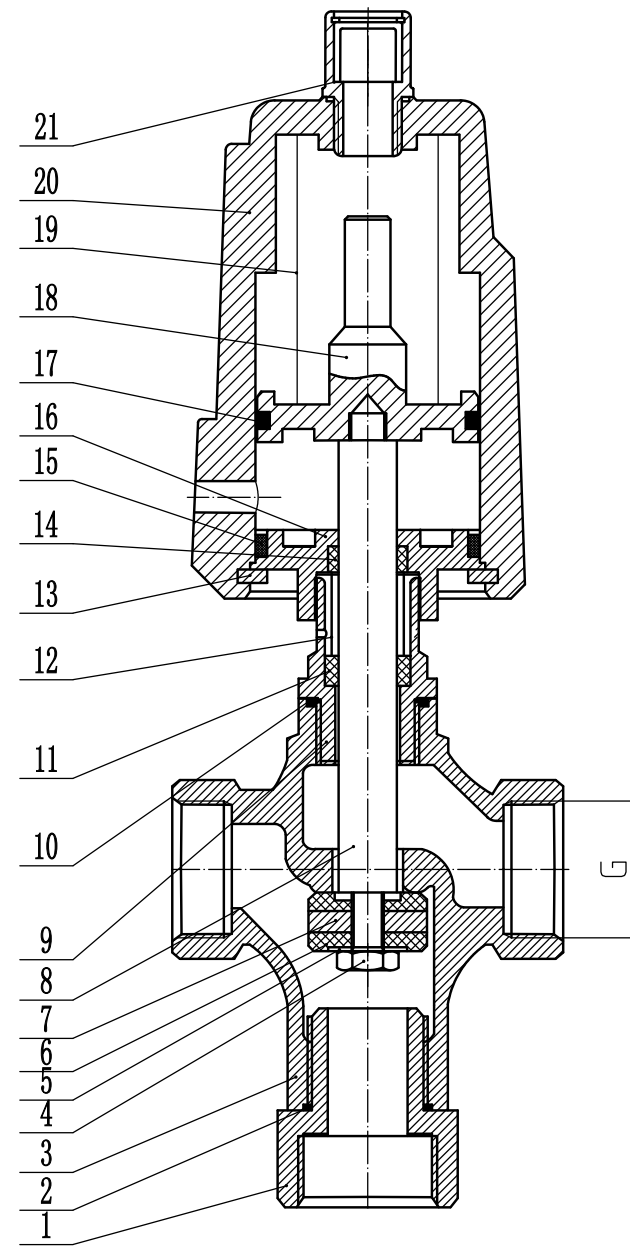
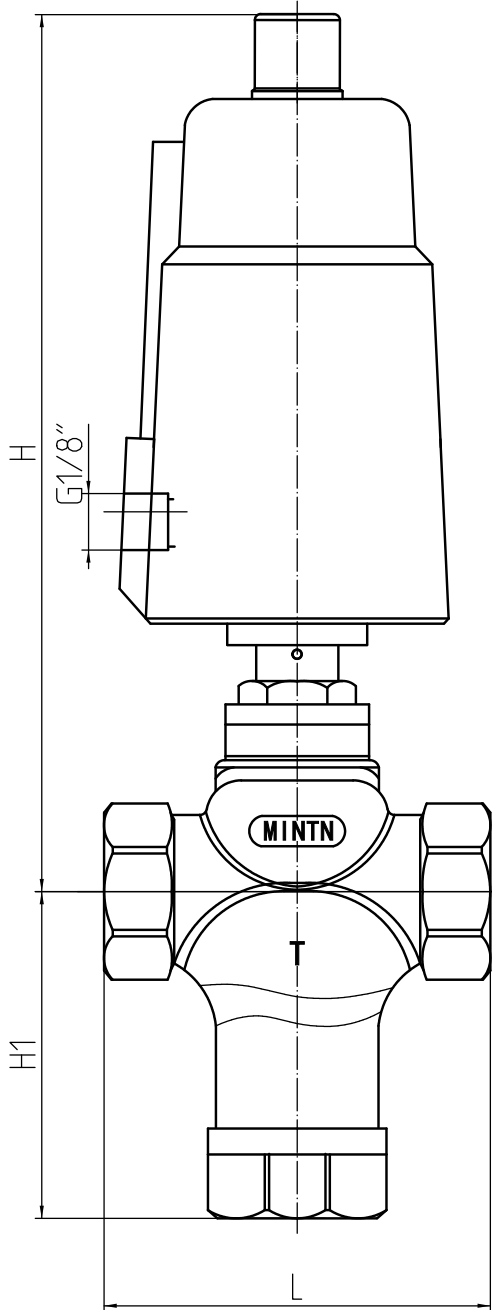
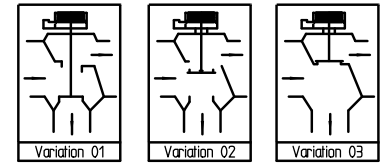


SE0-IW



Technical parameters	
Medium temperature	-10°C~+200°C
Ambient temperature	-10°C~+60°C
Nominal pressure	1.6MPa
Control gas	gas or air
Air pressure	0.4MPa~0.6MPa
Seal materia In cylinder	NBR/FKM

DN	H	H1	L	G
DN15	172	57	74	1/2"
DN20	172	57	74	3/4"
DN25	180	68	92	1"
DN32	232	84	120	1 1/4"
DN40	232	84	120	1 1/2"



No.	Name	No.	Name
11	V Sealing		
10	Seal Ring	21	Observation Window
9	Connecting Piece	20	Cylinder
8	Stem	19	Spring
7	Disk	18	Piston
6	Gasket seal	17	O Ring
5	Gasket	16	Cylinder Cover
4	Lock Nut	15	O Ring
3	Body	14	V Sealing
2	Seal RING	13	Stop Collar
1	VALVE BONNET	12	Spring

ZHEJIANG MINTN VALVE CO., LTD.	
Describe	PNEUMATIC THREE-WAY VALVE
Model	M T - Q 3 S
Web	www.mintn.com
Contact	+86-577-55558668