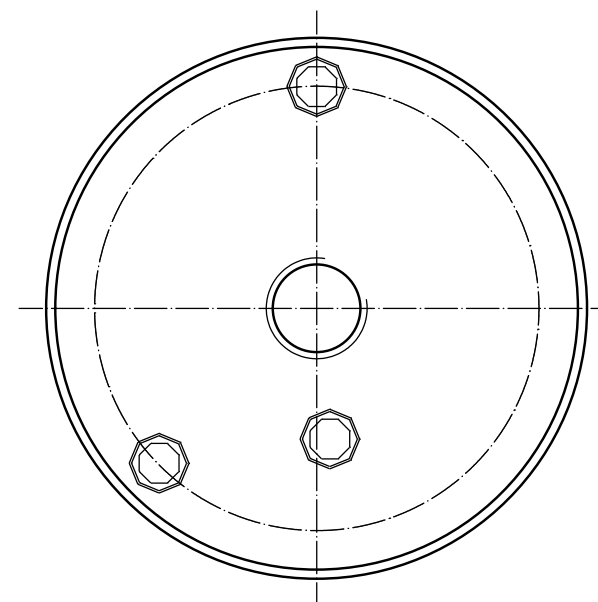
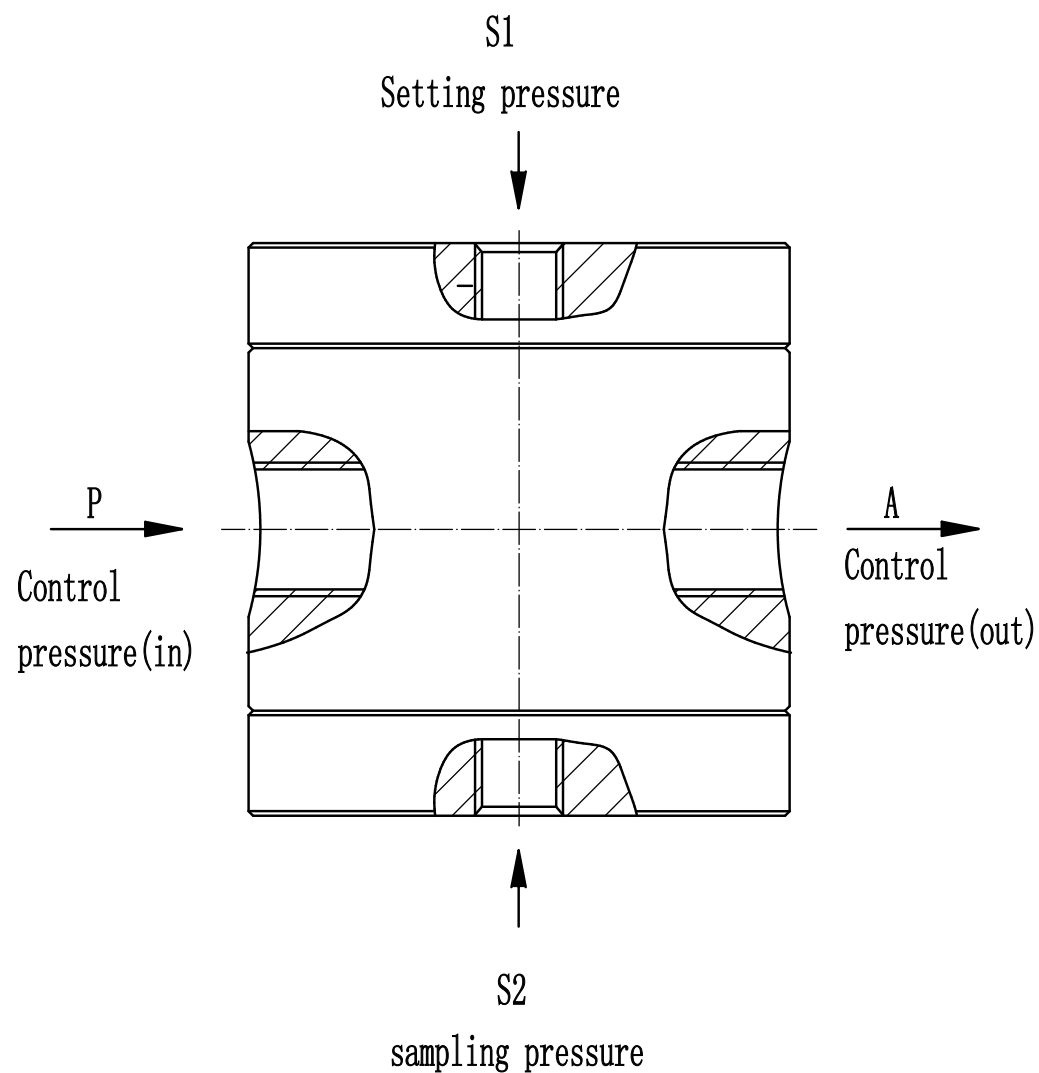


Technical parameters	
Medium temperature	-10°C~+120°C
Ambient temperature	-20°C~+60°C
Nominal pressure	1.6MPa
Control gas	gas or air
Air pressure	0.35MPa~0.45MPa
Seal materia In cylinder	NBR/FKM



TOP & Bottom view

ZHEJIANG MINTN VALVE CO., LTD.

Describe	Pneumatic Balancing Valve
Web	www.mintn.com
Contact	+86-577-55558668