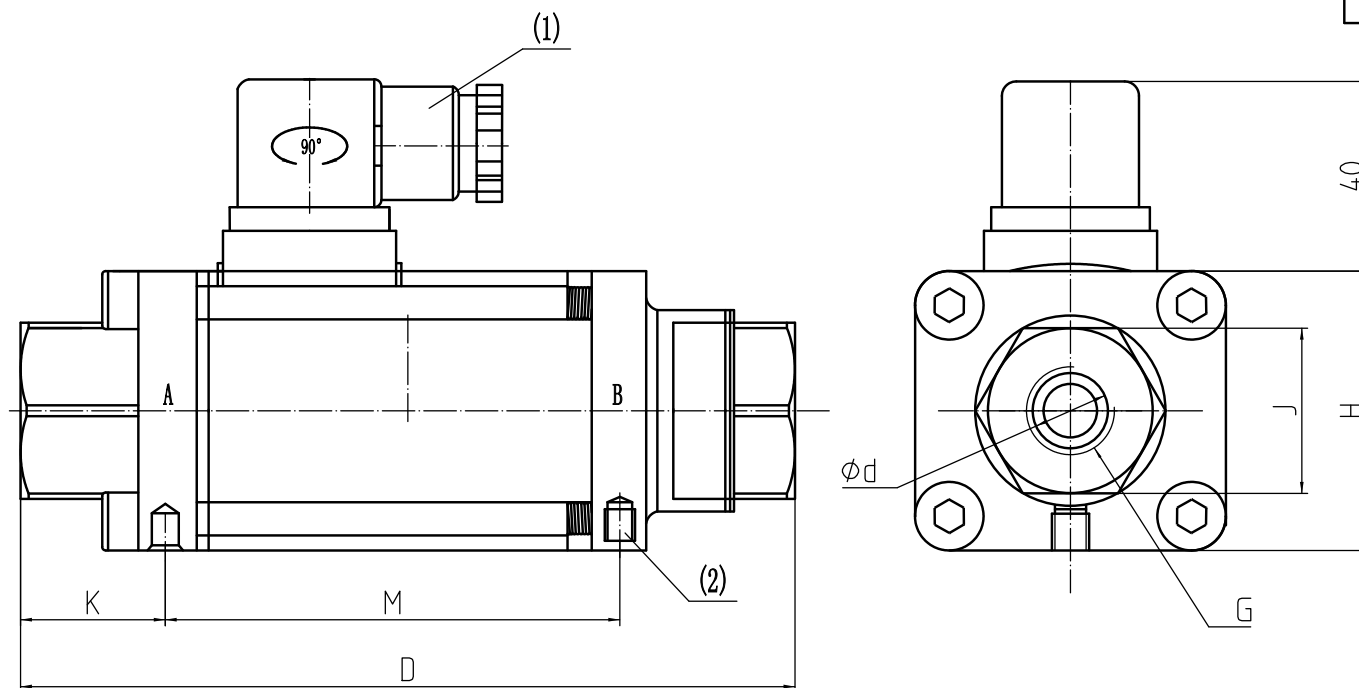


Technical parameters

Medium temperature	-20°C~+180°C
Ambient temperature	-20°C~+60°C
Nominal pressure	1.6MPa
Control gas	gas or air
Air pressure	0.3MPa-0.8MPa
Seal materia In cylinder	NBR/FKM



Size	φd	G	D	K	M	J	H	kv(m3/h)	Voltage parameter		Open/close time (pressure 4 bar)	
									Standard voltage	Nominal current	Open the MS	Close the MS
DN10	10	1/4"-3/4"	145	25	85	32	50	2.2	DC24V	DC1.2A	45	70
DN15	15	1/2"-3/4"	173	31	103	41	70	5.2	DC24V	DC1.6A	60	130
DN20	20	3/4"-1"	193	35	111	46	80	7.5	DC24V	DC2A	105	150
DN25	25	1"-1 1/4"	212	36	121	50	90	12.2	DC24V	DC 2.2A	150	190

Note: (1) Connector rectifier AC (2) mounting holes M5

ZHEJIANG MINTN VALVE CO., LTD.

Describe	Solenoid Shuttle Valve
Web	www.mintn.com
Contact	+86-577-55558668