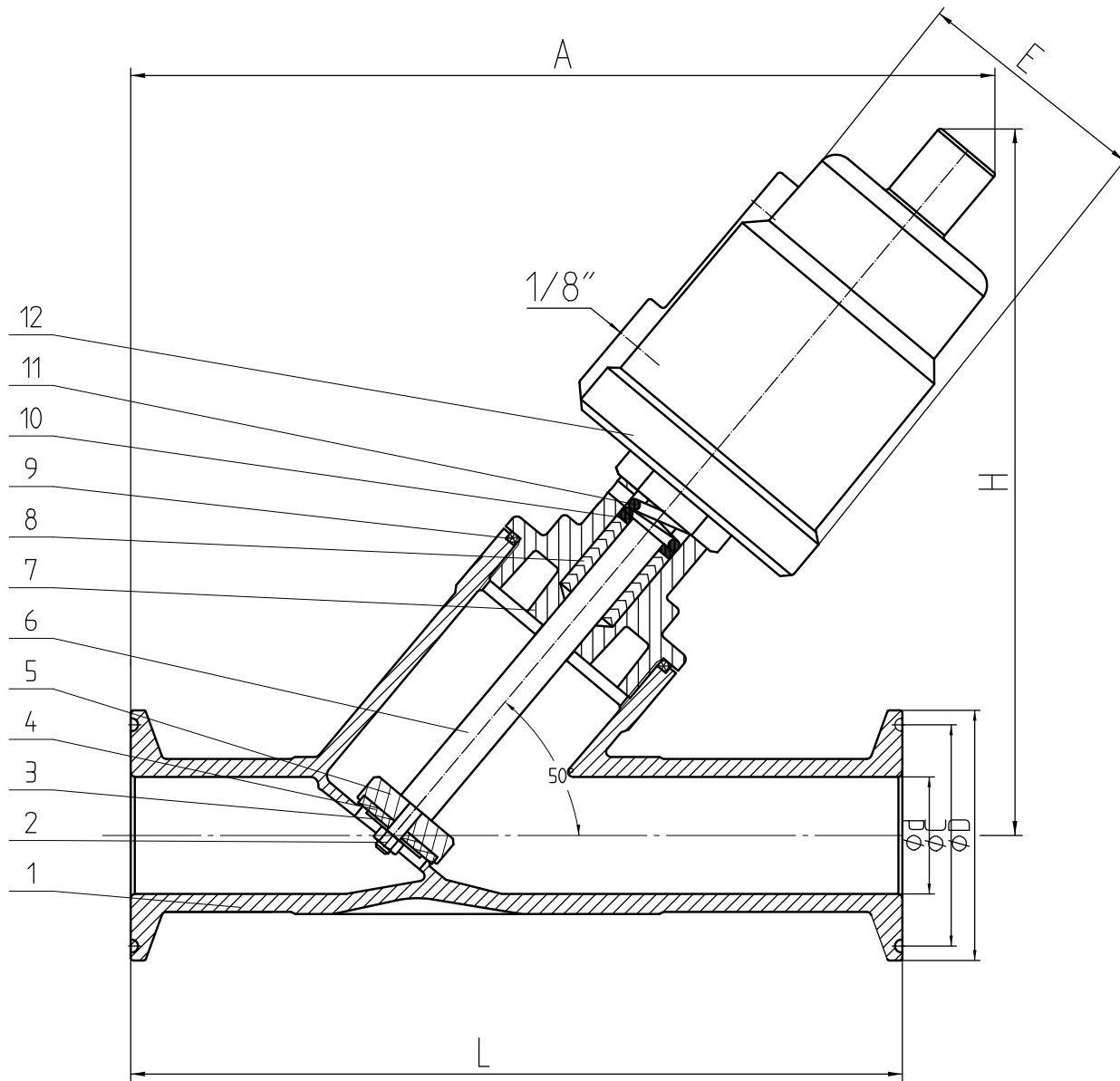


MT-K3



Technical parameters

| | |
|--------------------------|---------------|
| Medium temperature | -20°C~+180°C |
| Ambient temperature | -20°C~+60°C |
| Nominal pressure | 1.6MPa |
| Control gas | gas or air |
| Air pressure | 0.3MPa-0.8MPa |
| Seal materia In cylinder | NBR/FKM |

| Size | L | d | C | D | A | H | E | Actuator |
|------|-----|----|----|------|-----|-----|----|----------|
| 15 | 120 | 15 | 21 | 50.5 | 160 | 120 | 62 | φ50 |
| 20 | 140 | 20 | 25 | 50.5 | 165 | 130 | 62 | φ50 |
| 25 | 160 | 25 | 33 | 50.5 | 185 | 160 | 62 | φ50 |
| 32 | 175 | 35 | 40 | 50.5 | 220 | 195 | 76 | φ63 |
| 40 | 190 | 38 | 44 | 50.5 | 230 | 245 | 76 | φ63 |
| 50 | 210 | 48 | 56 | 64.0 | 280 | 285 | 76 | φ63 |
| 65 | 225 | 68 | 77 | 91.0 | 360 | 370 | 96 | φ80 |

| No. | Name | Material |
|-----|----------------------------------|----------|
| 12 | Stainless Steel Pneumatic Device | 304 |
| 11 | Spring | 60Si2Mn |
| 10 | Metal pads | 304 |
| 9 | Body Seal | PTFE |
| 8 | Stem Seal | PTFE |
| 7 | Connecting Piece | CF8/CF8M |
| 6 | Stem | 304/316 |
| 5 | Valve Core | 304/316 |
| 4 | Seat | PTFE |
| 3 | Gasket | 304/316 |
| 2 | Nut | 304/316 |
| 1 | Body | CF8/CF8M |

ZHEJIANG MINTN VALVE CO., LTD.

| | |
|----------|----------------------------|
| Describe | Pneumatic Angle Seat Valve |
| Model | M T - K 3 |
| Web | www.mintn.com |
| TEL | +86-577-55558668 |