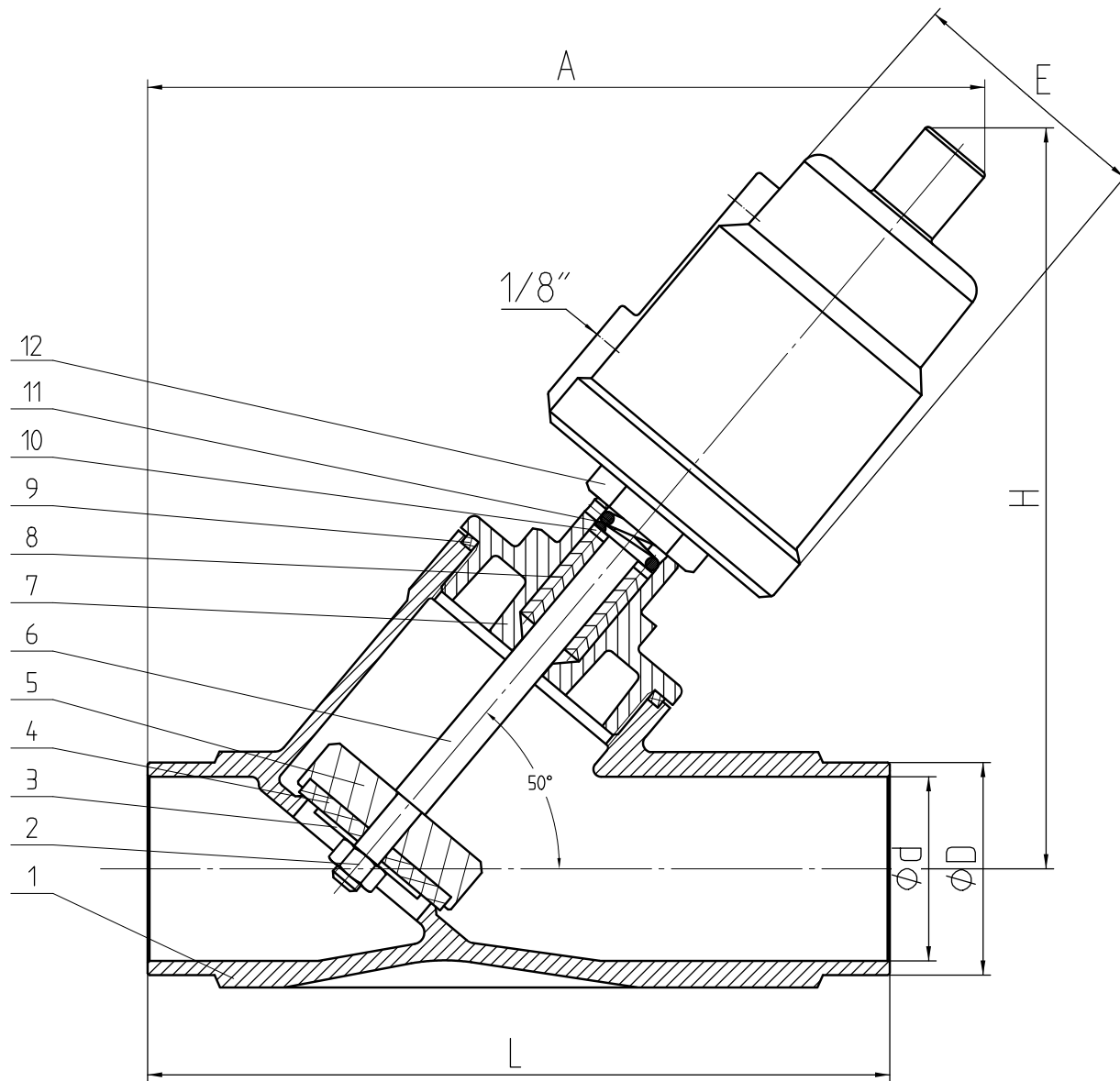


EH-1W



Technical parameters

Medium temperature	-20°C~+180°C
Ambient temperature	-20°C~+60°C
Nominal pressure	1.6MPa
Control gas	gas or air
Air pressure	0.3MPa-0.8MPa
Seal materia In cylinder	NBR/FKM

Size	L	D	d	A	H	E	Actuator
15	100	19.5	15.5	155	120	62	Φ50
20	120	26.5	21.5	160	130	62	Φ50
25	140	32.5	28.5	185	160	62	Φ50
32	155	38.5	33	215	195	76	Φ63
40	170	52	46	225	245	76	Φ63
50	190	64	57	300	295	96	Φ80
65	200	77	68	320	350	96	Φ80
80	220	92	82	350	385	114	Φ100

No.	Name	Material
12	Stainless Steel Pneumatic Device	304
11	Spring	60Si2Mn
10	Metal pads	304
9	Body Seal	PTFE
8	Stem Seal	PTFE
7	Connecting Piece	CF8/CF8M
6	Stem	304/316
5	Valve Core	304/316
4	Seat	PTFE
3	Gasket	304/316
2	Nut	304/316
1	Body	CF8/CF8M

ZHEJIANG MINTN VALVE CO., LTD.

Describe	Pneumatic Angle Seat Valve
Model	M T - H 3
Web	www.mintn.com
TEL	+86-577-55558668