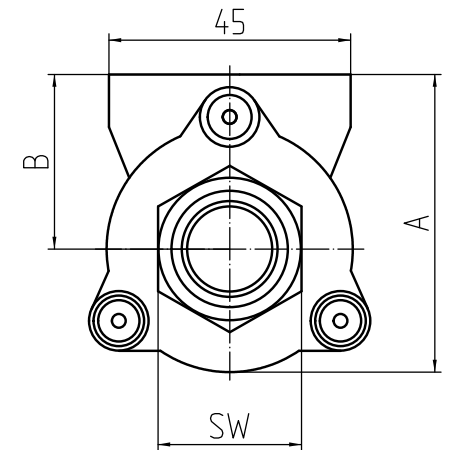
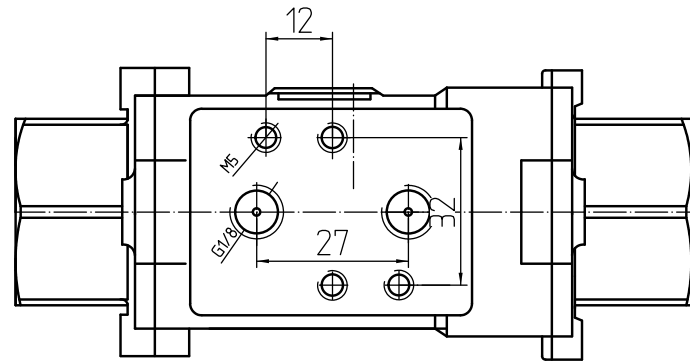
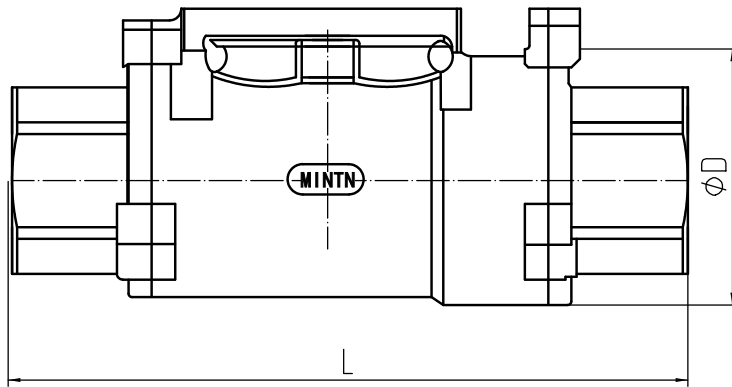


Technical parameters

Medium temperature	-20°C~+180°C
Ambient temperature	-20°C~+60°C
Nominal pressure	1.6MPa
Control gas	gas or air
Air pressure	0.3MPa~0.8MPa
Seal material in cylinder	NBR/FKM



Size	A	D	SW	B	L	Thread End
DN8	49.5	37	22	31	98	1/4"
DN10	49.5	37	22	31	98	3/8"
DN15	53.3	42.5	26	32	112	1/2"
DN20	63.5	52	32	37.5	135	3/4"
DN25	70	60	40	40	143	1"
DN32	85.5	75	49	48	165	1 1/4"
DN40	95	84	53	53	180	1 1/2"
DN50	109	97	68	60	207	2"

ZHEJIANG MINTN VALVE CO., LTD.

Describe	Pneumatic Shuttle Valve
Web	www.mintn.com
Contact	+86-577-55558668