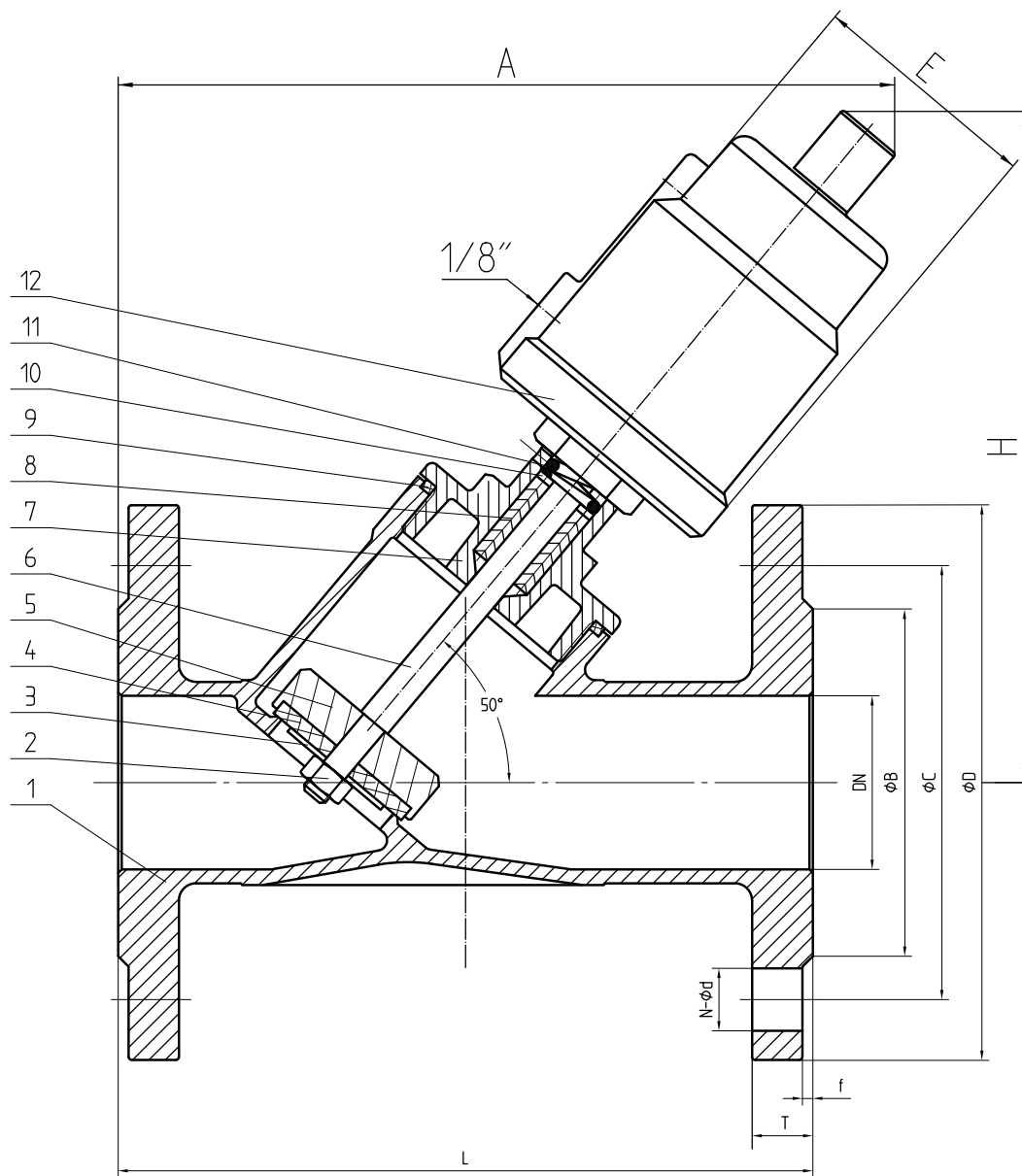


MT-F3



**Technical parameters**

Medium temperature	-20°C~+180°C
Ambient temperature	-20°C~+60°C
Nominal pressure	1.6MPa
Control gas	gas or air
Air pressure	0.3MPa-0.8MPa
Seal materia In cylinder	NBR/FKM

Size	L	T	f	D	C	B	N-φd	A	H	E	Actuator
15	120	14	2	95	65	40	4-φ14	185	145	62	φ50
20	130	14	2	105	75	50	4-φ14	188	155	62	φ50
25	140	14	2	115	85	60	4-φ14	208	165	62	φ50
32	150	16	2	135	100	70	4-φ18	225	195	76	φ63
40	180	16	2	145	110	80	4-φ18	240	205	76	φ63
50	195	16	2	160	125	92	4-φ18	265	228	76	φ63
65	230	18	2	185	145	115	4-φ18	290	264	96	φ80
80	250	18	2	195	160	130	8-φ18	330	300	114	φ100
100	280	18	2	215	180	150	8-φ18	350	320	114	φ100

No.	Name	Material
12	Stainless Steel Pneumatic Device	304
11	Spring	60Si2Mn
10	Metal pads	304
9	Body Seal	PTFE
8	Stem Seal	PTFE
7	Connecting Piece	CF8/CF8M
6	Stem	304/316
5	Valve Core	304/316
4	Seat	PTFE
3	Gasket	304/316
2	Nut	304/316
1	Body	CF8/CF8M

**ZHEJIANG MINTN VALVE CO., LTD.**

Describe	Pneumatic Angle Seat Valve
Model	M T - F 3
Web	www.mintn.com
TEL	+86-577-55558668