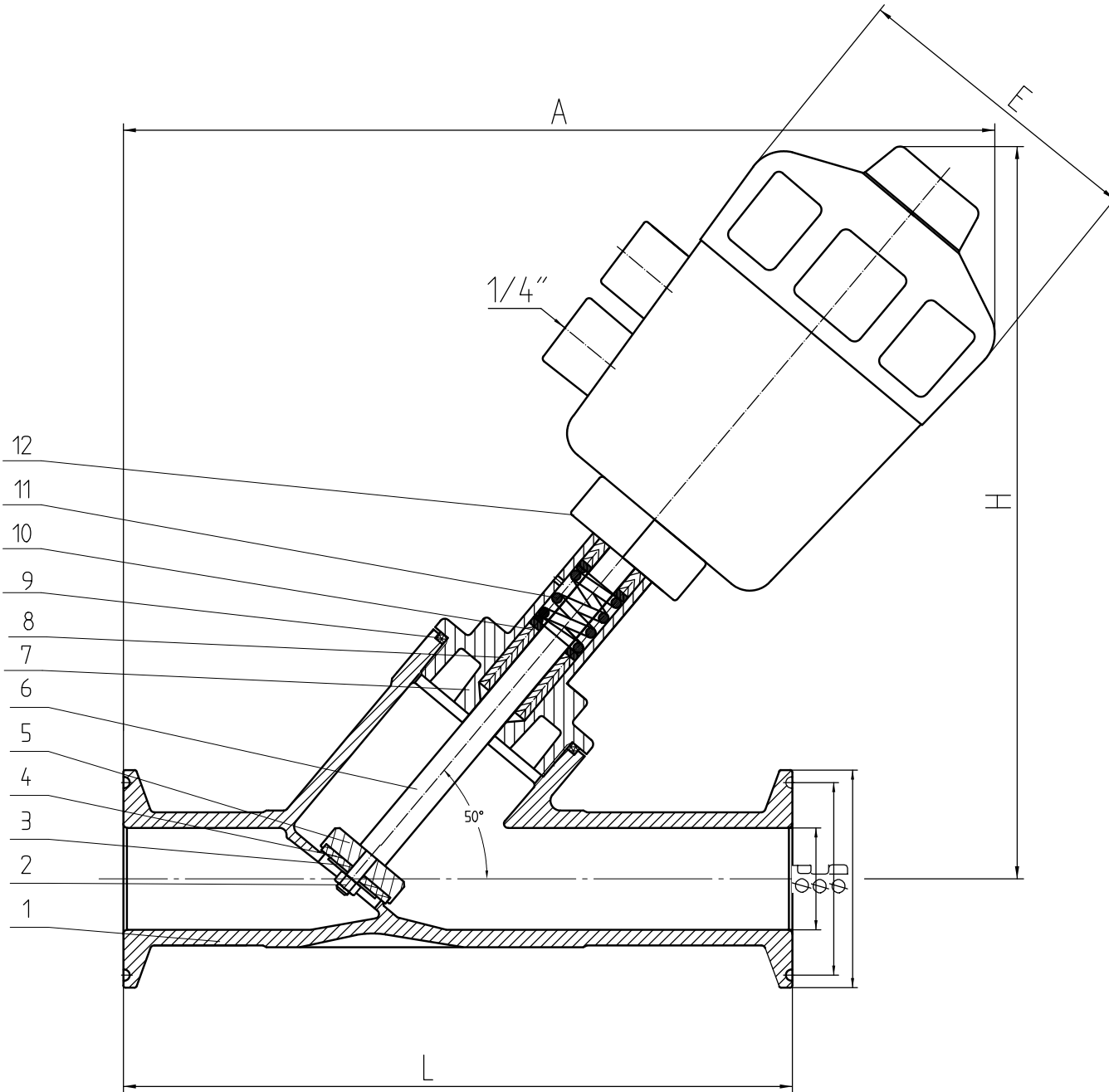


SK-1W



Technical parameters

Medium temperature	-20°C~+180°C
Ambient temperature	-20°C~+60°C
Nominal pressure	1.6MPa
Control gas	gas or air
Air pressure	0.3MPa-0.8MPa
Seal materia In cylinder	NBR/FKM

Size	L	d	C	D	A	H	E	Actuator
15	120	15	21	50.5	180	137	64	φ50
20	140	20	25	50.5	185	145	64	φ50
25	160	25	33	50.5	220	183	80	φ50
32	175	35	40	50.5	240	210	80	φ63
40	190	38	44	50.5	250	260	80	φ63
50	210	48	56	64.0	320	300	100	φ63
65	225	68	77	91.0	380	375	100	φ80

No.	Name	Material
12	Plastic head pneumatic device	PPS
11	Spring	60Si2Mn
10	Metal pads	304
9	Body Seal	PTFE
8	Stem Seal	PTFE
7	Connecting Piece	CF8/CF8M
6	Stem	304/316
5	Valve Core	304/316
4	Seat	PTFE
3	Gasket	304/316
2	Nut	304/316
1	Body	CF8/CF8M

ZHEJIANG MINTN VALVE CO., LTD.

Describe	Pneumatic Angle Seat Valve
Model	M T - K 5
Web	www.mintn.com
TEL	+86-577-55558668