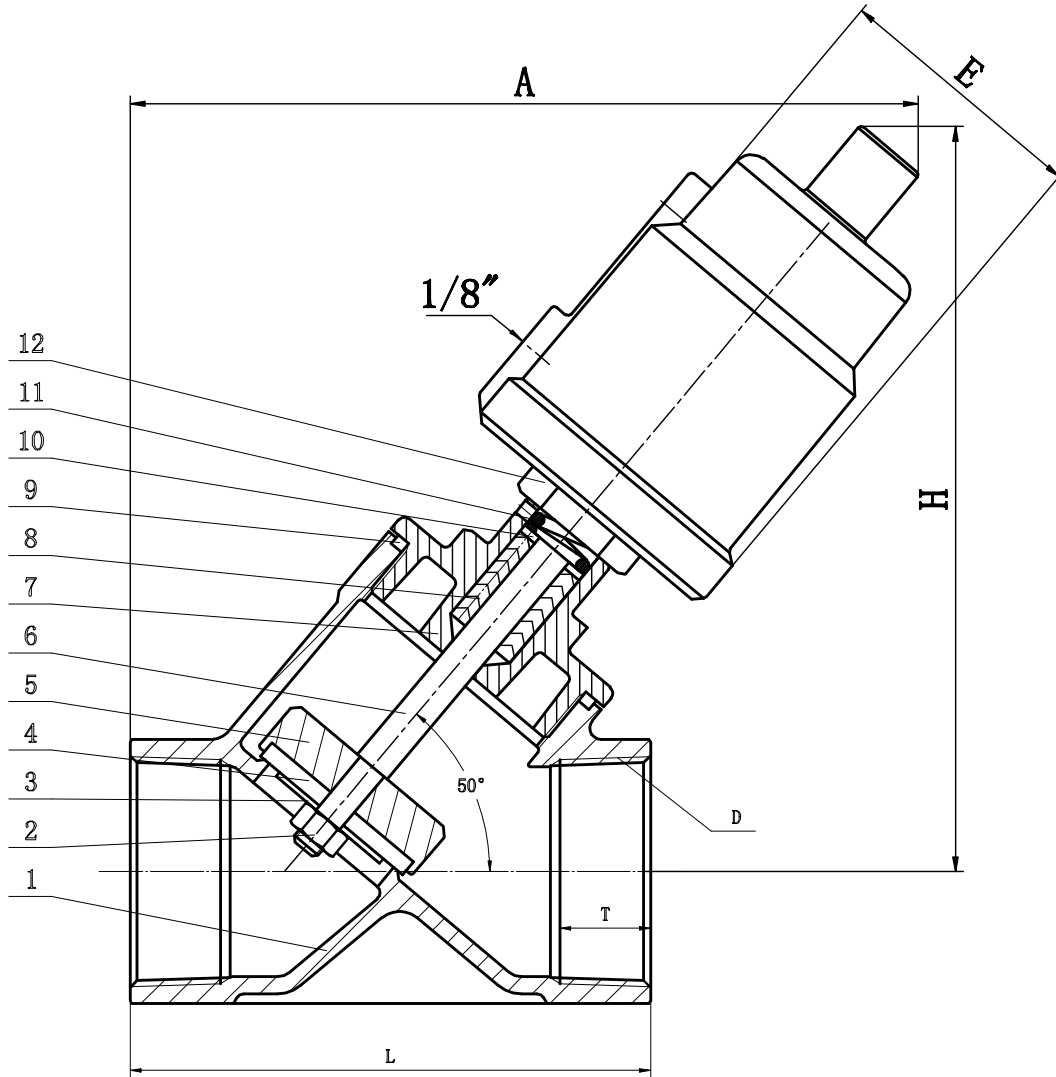


30-LW



Technical parameters

Medium temperature	-20° C~+180° C
Ambient temperature	-20° C~+60° C
Nominal pressure	1.6MPa
Control gas	gas or air
Air pressure	0.3MPa~0.8MPa
Seal materia in cylinder	NBR/FKM

Size	L	T	D	A	H	E	Actuator
15	68	12	1/2	130	128	60	ø50
20	75	14	3/4	140	133	60	ø50
25	90	18	1	150	140	60	ø50
	90	18	1	170	165	75	ø63
32	110	18	1 1/4	180	175	75	ø63
	115	18	1 1/2	190	178	75	ø63
40	115	18	1 1/2	210	200	95	ø80
	135	20	2	200	190	75	ø63
50	135	20	2	220	210	95	ø80
	182	24	2 1/2	260	230	95	ø80
65	182	24	2 1/2	300	300	116	ø100
	205	28	3	335	320	116	ø100

No.	Name	Material
12	Stainless Steel Pneumatic Device	304
11	Spring	60Si2Mn
10	Metal pads	304
9	Body Seal	PTFE
8	Stem Seal	PTFE
7	Connecting Piece	CF8/CF8M
6	Stem	304/316
5	Valve Core	304/316
4	Seat	PTFE
3	Gasket	304/316
2	Nut	304/316
1	Body	CF8/CF8M

ZHEJIANG MINTN VALVE CO., LTD.

Describe	Pneumatic Angle Seat Valve
Model	M T - Q 3
Web	www.mintn.com
TEL	+86-577-55558668