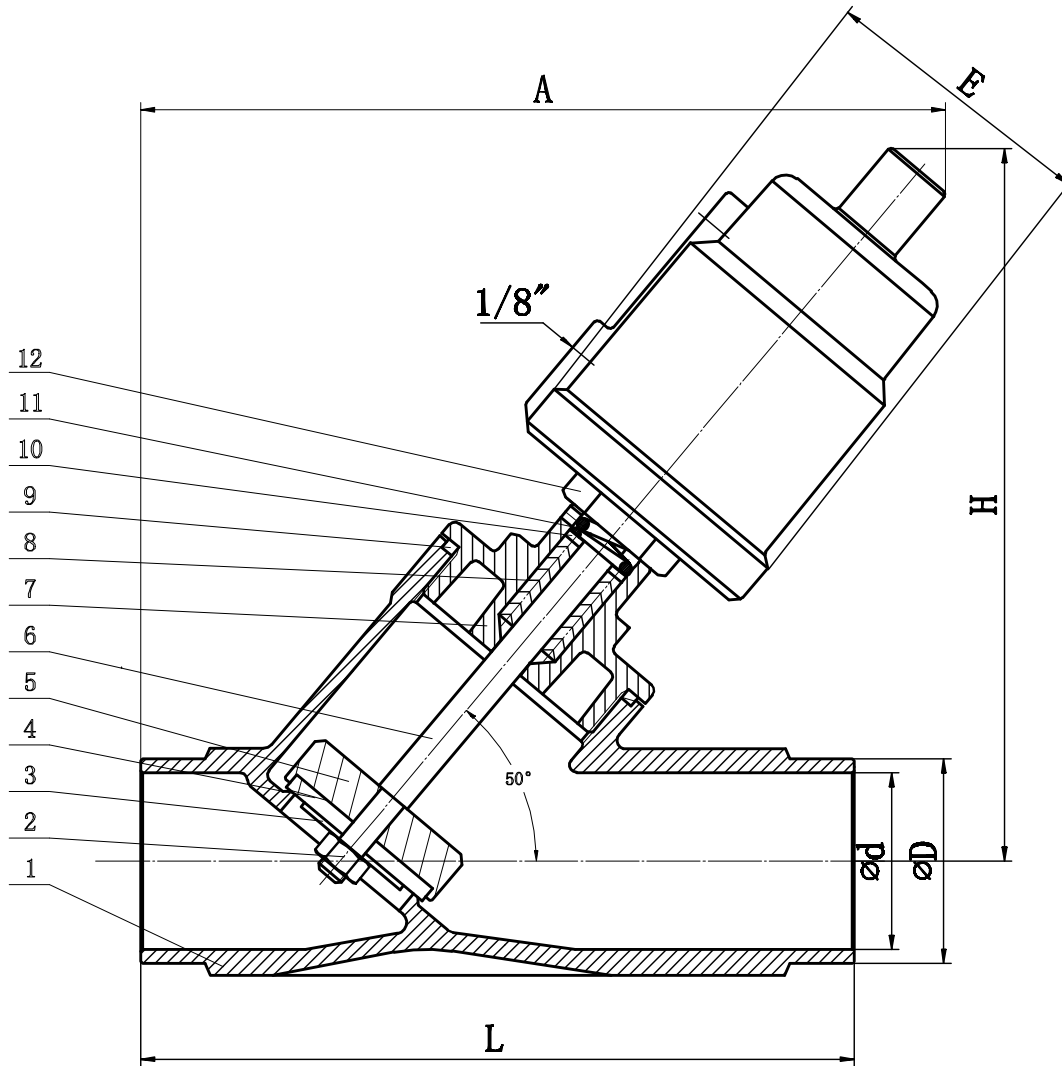


MT-H3



Technical parameters

Medium temperature	-20° C~+180° C
Ambient temperature	-20° C~+60° C
Nominal pressure	1.6MPa
Control gas	gas or air
Air pressure	0.3MPa~0.8MPa
Seal material in cylinder	FKM

SPECIFICATION

Size	Actuator size	L	D	B	A	H	E
15	Ø50	123	19	15	148	105	61
20	Ø50	130	24	20	145	108	61
25	Ø50	147	30	25	166	138	61
25B	Ø63	147	30	25	187	160	75
32	Ø63	156	37	32	194	164	75
40	Ø63	184	45	40	202	170	75
50	Ø63	199	56	50	213	185	75
50B	Ø80	199	56	50	235	208	95
65	Ø80	226	77	69	230	227	95
65B	Ø100	226	77	69	300	273	117
80	Ø100	247	90	82	365	290	117

No.	Name	Material
12	Stainless Steel Pneumatic Device	304
11	Spring	60Si2Mn
10	Metal pads	304
9	Body Seal	PTFE
8	Stem Seal	PTFE
7	Connecting Piece	CF8/CF8M
6	Stem	304/316
5	Valve Core	304/316
4	Seat	PTFE
3	Gasket	304/316
2	Nut	304/316
1	Body	CF8/CF8M

ZHEJIANG MINTN TECHNOLOGY CO., LTD.

Describe	Pneumatic Angle Seat Valve
Model	MT-H3
Web	www.mintn.com
TEL	+86-577-55558668